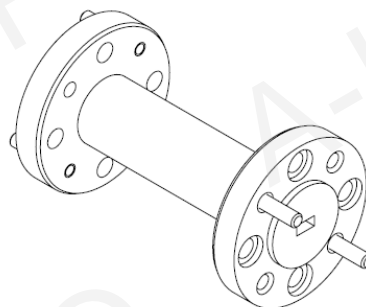
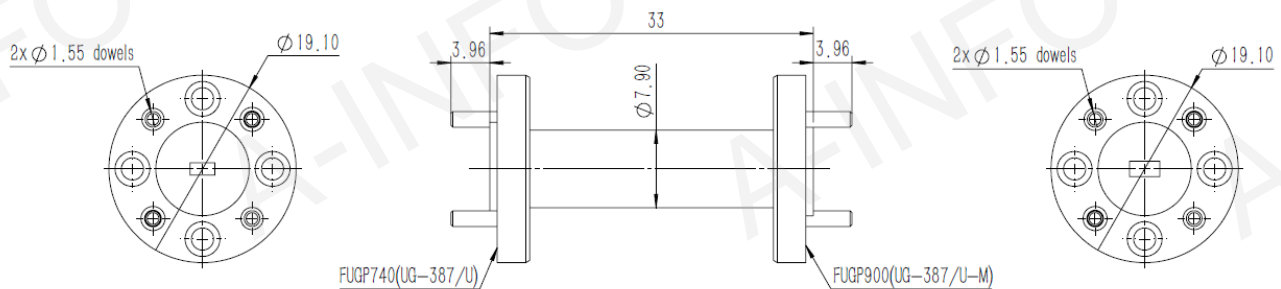


Technical Specification



EIA WR to WR	WR12 to WR10
Frequency Range(GHz)	75.0 - 90.0
Length(mm/inch)	33/1.3
Insertion Loss(dB)	0.3 Max.
VSWR	1.10:1 Max.
WR12 Flange	FUGP740(UG-387/U)
WR10 Flange	FUGP900(UG-387/U-M)
Material	Cu
Size(mm)	33 x 19.1 x 19.1
Net Weight(Kg)	0.03 Around

Outline Drawing (Size: mm)



AINFO Inc.

Page 1 of 3

China(Beijing):
China(Chengdu):
USA :

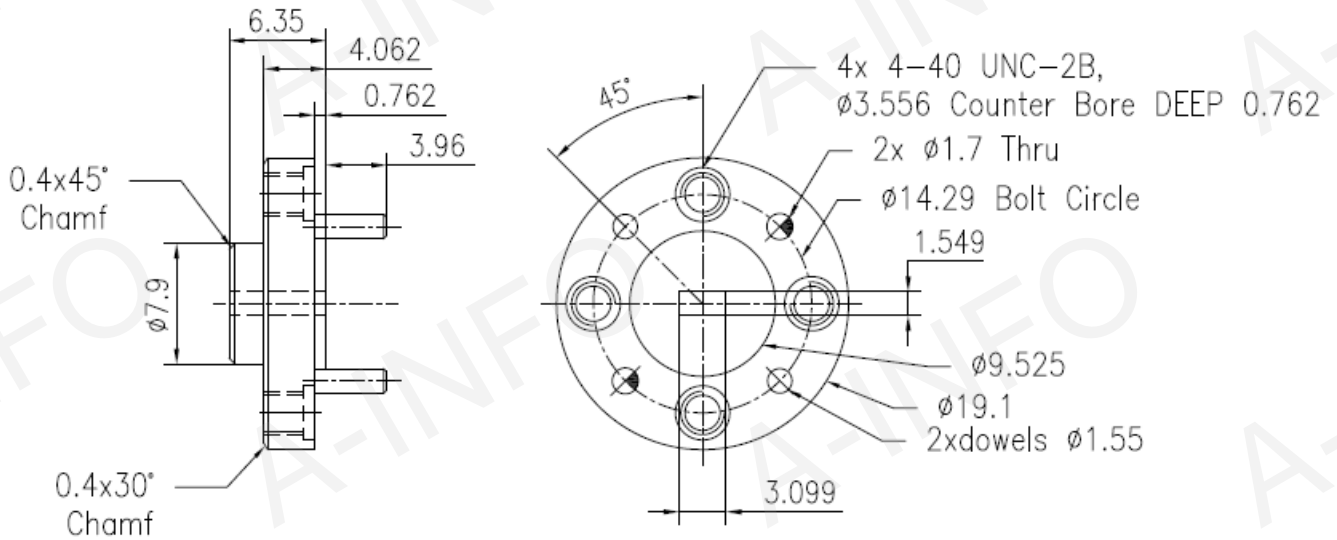
Tel: (+86) 10-6266-7326,
Tel: (+86) 28-8519-2786,
Tel: (+1) 949-639-9688,

(+86) 10-6266-7327
(+86) 28-8519-3044
(+1) 949-639-9608

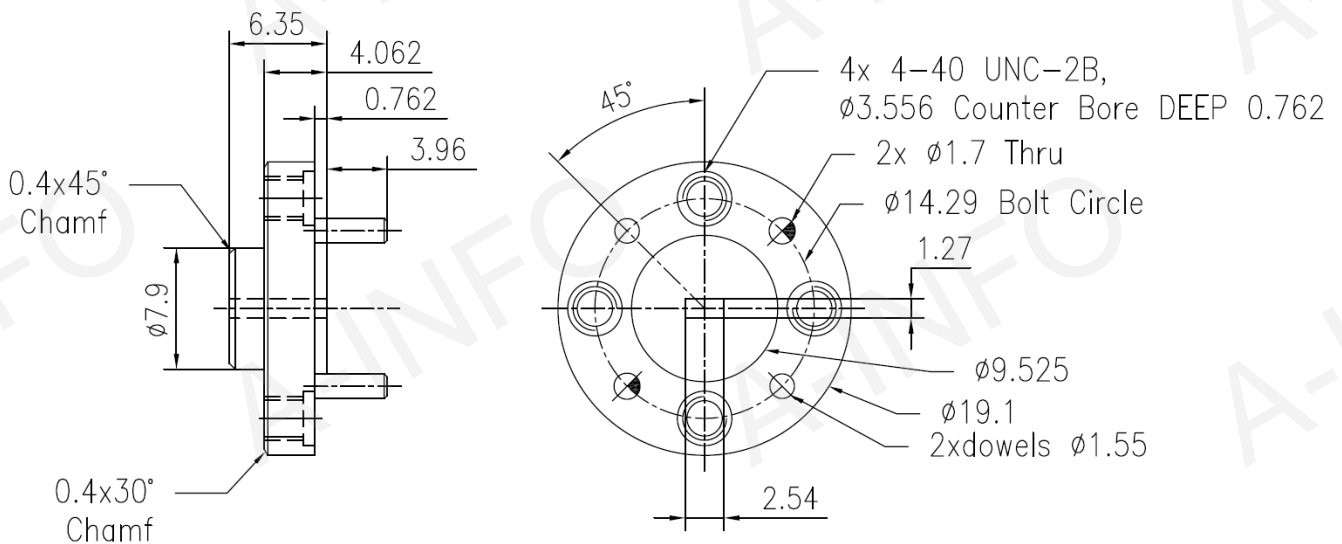
Fax: (+86) 10-6266-7379
Fax: (+86) 28-8519-3068
Fax: (+1) 949-639-9670

Website: www.ainfoinc.com
Email: sales@ainfoinc.com

Flange Outline Drawing (Size: mm)



FUGP740
(equivalent to UG-387/U)



FUGP900
(equivalent to UG-387/U-M)

AINFO Inc.

Page 2 of 3

China(Beijing):
China(Chengdu):
USA:

Tel: (+86) 10-6266-7326,
Tel: (+86) 28-8519-2786,
Tel: (+1) 949-639-9688,

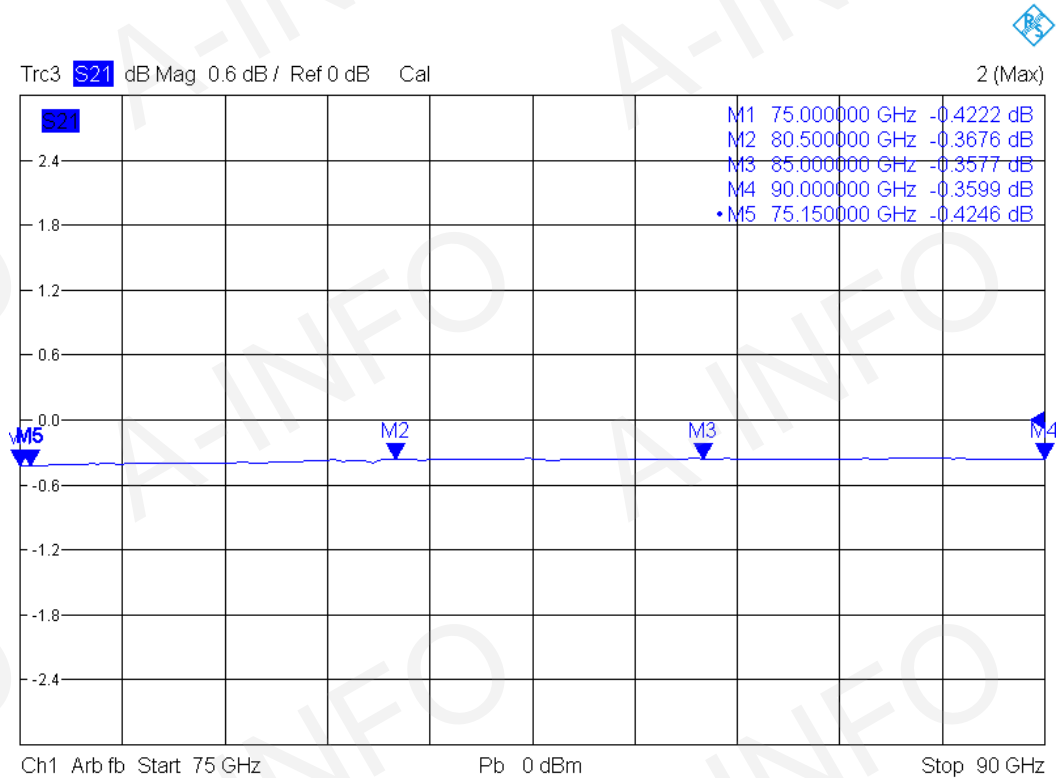
(+86) 10-6266-7327
(+86) 28-8519-3044
(+1) 949-639-9608

Fax: (+86) 10-6266-7379
Fax: (+86) 28-8519-3068
Fax: (+1) 949-639-9670

Website: www.ainfoinc.com
Email: sales@ainfoinc.com

Test Result

Insertion Loss (Test with two transitions back to back)



VSWR

